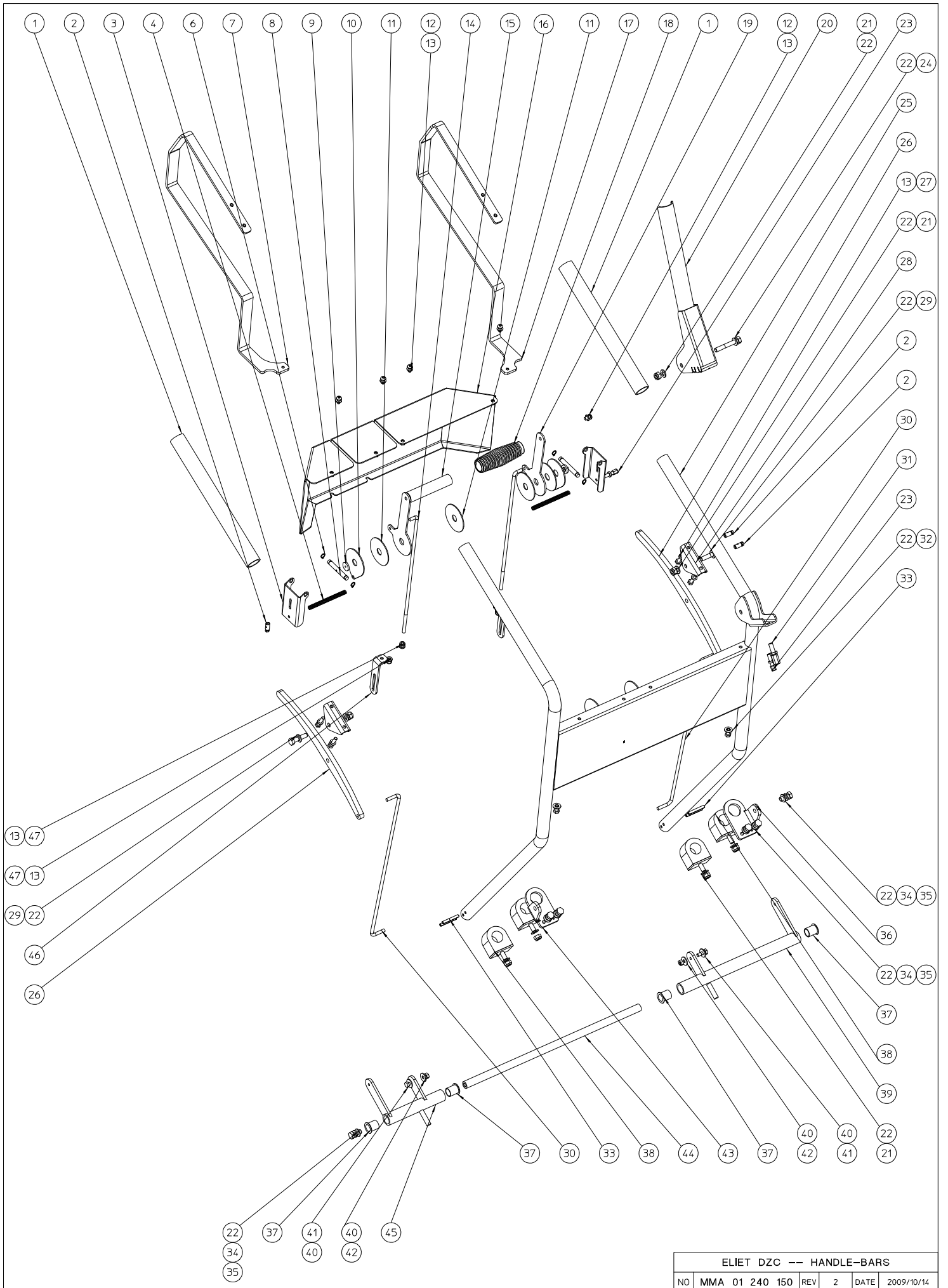


ELIET DZC -- GENERAL								
NO	MMA	01	240	100	REV	2	DATE	2007/05/08

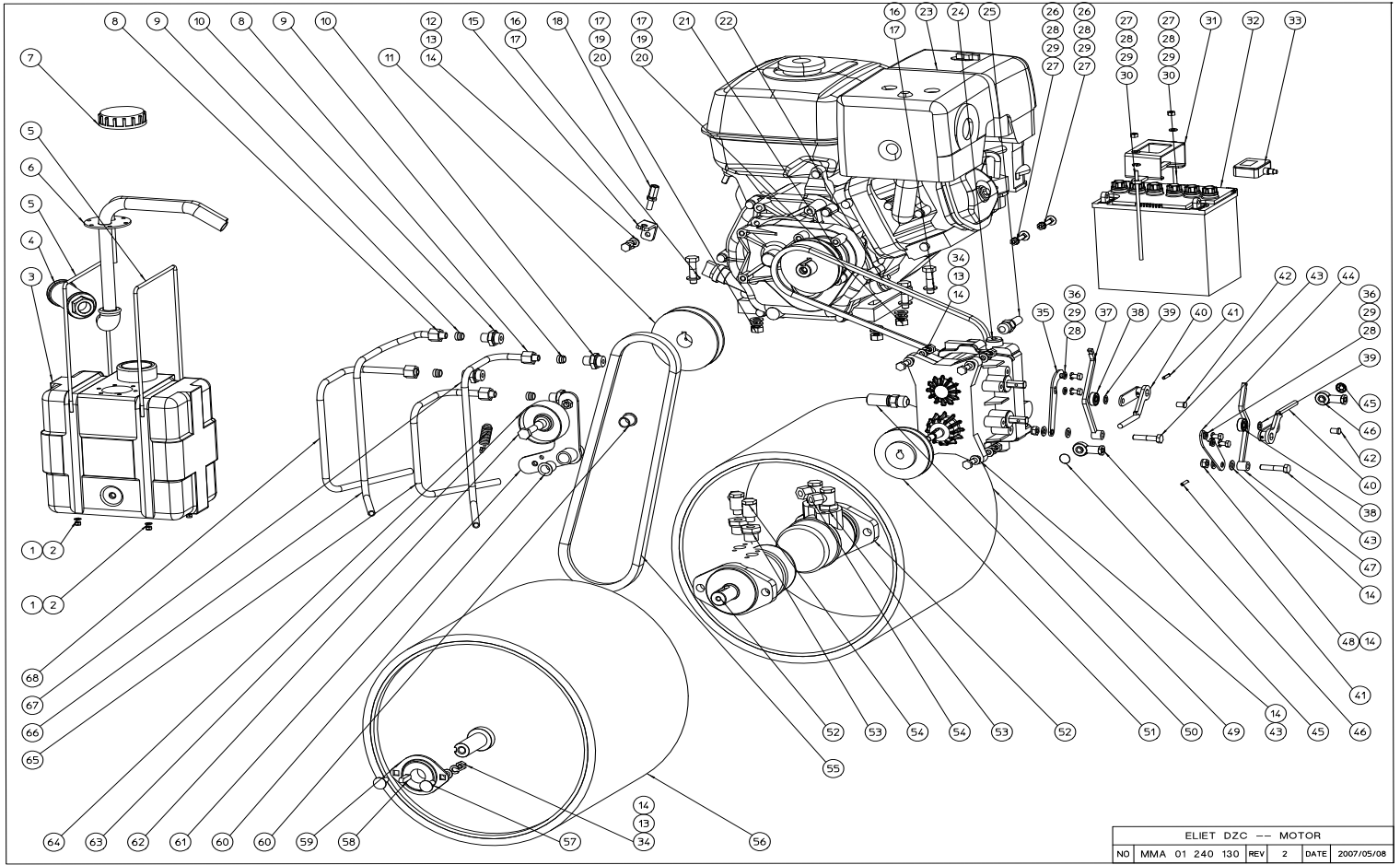
#	Order nr	article description	quantity
1	MMA 01 240 150	handle-bars	0
2	MMA 01 240 110	chassis	0
3	MMA 01 240 130	engine	0
4	MMA 01 240 120	seeding	0
5	MMA 01 240 140	driving unit	0
6	MMA 01 240 160	lifting	0
7	MA 016 001 006	gauging receptacle dzc750	1



ELIET DZC -- HANDLE-BARS						
NO	MMA 01 240 150	REV	2	DATE	2009/10/14	

#	Order nr	article description	quantity
1	BN 231 002 030	soft rubber grip dia 25mm (l=300mm)	2
2	BK 170 208 000	cable fastener 8x15mm	3
3	MPA 01 241 161	eccentric piece	2
4	BV 914 000 040	spring 1,2x8x92	2
6	BB 001 000 080	retaining ring 8 din 471	4
7	MPA 01 241 189	handlebars right	1
8	MPA 01 241 162	axle eccentric	2
9	MPA 01 241 163	disk 2 cross control	2
10	MPA 01 241 154	disk cross control	2
11	BC 701 005 900	friction washer	4
12	BS 522 500 612	screw m6x12 iso 7380	5
13	BS 531 000 600	washer m6 din 125	13
14	MPA 01 241 283	control rod	2
15	MPA 01 241 152	handle cross control	1
16	MPA 01 241 166	protection control unit	1
17	MPA 01 241 186	handlebars left	1
18	BN 230 100 400	rubber grip	1
19	MPA 01 241 153	side plate cross control	1
20	MPA 01 241 175	safety handle (presence control)	1
21	BS 502 000 800	self locking nut m8 din 985	7
22	BS 531 000 800	washer m8 din 125	18
23	BK 610 100 600	cable set screw m6x34	2
24	BS 511 000 843	bolt m8x55 din 931	1
25	MPA 01 241 185	handlebars	1
26	MPA 01 241 167	handle	2
27	BS 512 000 630	bolt m6x30 din 933	4
28	MPA 01 241 168	holder control handle	2
29	BS 511 000 835	bolt m8x35 din 931	2
30	MPA 01 241 284	control rod steering bracket	1
31	BK 610 100 800	cable set screw m8x34	1
32	BS 512 000 612	bolt m6x12 din 933	2
33	BB 120 050 400	locking 5x40 din 1481	4
34	BS 533 000 800	lock washer m8 din 127b	6
35	BS 512 000 820	bolt m8x20 din 933	6
36	MPA 01 241 317	fitting handlebars left	1
37	BR 112 152 100	nylon bushing with collar (15.4/18/23x21/1)	4
38	BR 900 000 400	antivibration blocks	4
39	MPA 01 241 264	control pump left	1
40	BS 532 006 183	washer m6x18x1.5	4
41	BS 011 000 618	bolt m6x18 din 931 black	2
42	BS 501 000 600	nut m6 din 934	2
43	MPA 01 241 316	fitting handlebars right	1
44	MPA 01 241 267	carrying axle control pump	1
45	MPA 01 241 266	control pump right	1
46	MPA 01 241 280	control rod bottom	2
47	BS 502 000 600	self locking nut m6 din 985	4

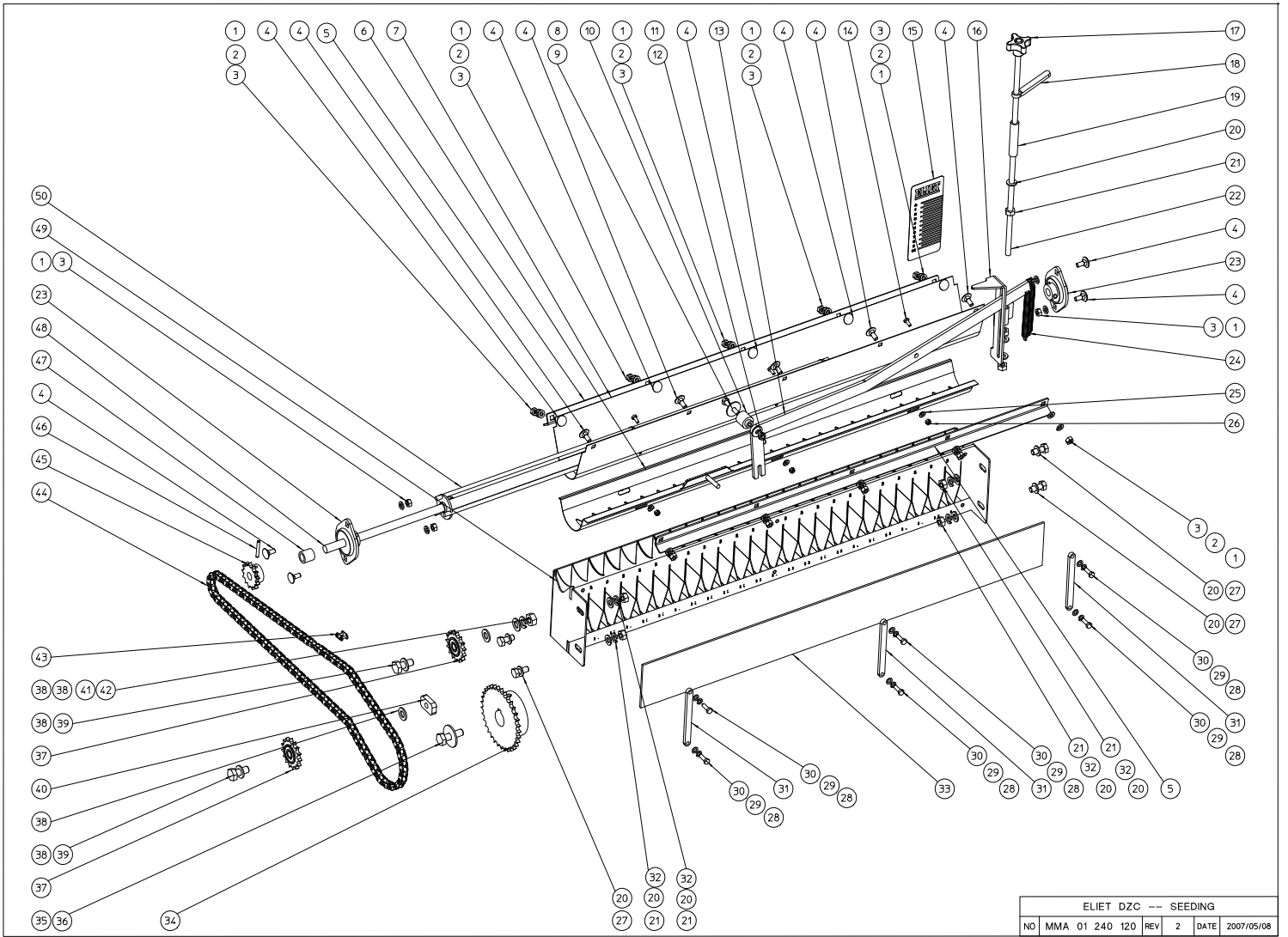
#	Order nr	article description	quantity
1	BQ 505 010 070	safety sticker 100x80 (hand cuts)	2
2	BQ 505 010 150	safety sticker 60x100 (distance)	2
3	MPA 01 240 030	cover	1
4	BS 531 000 800	washer m8 din 125	20
5	BR 000 910 680	rubber u-moulding 680mm	1
6	BQ 501 010 030	sticker eliet 200x90	1
7	BS 512 000 612	bolt m6x12 din 933	13
8	BS 501 000 600	nut m6 din 934	10
9	BS 533 000 600	lock washer m6 din 127b	14
10	BS 531 000 600	washer m6 din 125	16
11	MPA 01 241 062	hinge	1
12	MPA 01 240 130	support covering	1
13	BR 900 001 290	deflector pvc	1
14	MPA 01 241 101	front plate	1
15	BS 512 000 516	bolt m5x16 din 933	4
16	BS 531 000 500	washer m5 din 125	4
17	MPA 01 240 100	support covering	1
18	BS 512 000 616	bolt m6x16 din 933	5
19	BS 501 000 800	nut m8 din 934	1
20	BS 533 000 800	lock washer m8 din 127b	5
21	BS 512 000 820	bolt m8x20 din 933	2
22	MPA 01 240 200	hinge lid	2
23	MPA 01 241 050	engine plate	1
24	BS 512 000 625	bolt m6x25 din 933	2
25	BB 001 000 150	retaining ring 15 din 471	1
26	MPA 01 241 147	protection-nylon	1
27	MPA 01 240 020	cover	1
28	MPA 01 241 042	belt protection	1
29	BS 512 000 816	bolt m8x16 din 933	3
30	MPA 01 241 041	holder oil tank	1
31	MPA 01 241 030	chassis	1
32	BY 100 106 100	grease fitting m6 din 71412	1
33	BS 512 001 035	bolt m10x35 din 933	2
34	MPA 01 241 115	cover top	1
35	MPA 01 240 500	protection gear box	1
36	BS 531 001 000	washer m10 din 125	8
37	MPA 01 241 100	central bracket	1
38	BS 512 000 610	bolt m6x10 din 933	2
39	MPA 01 241 125	chain protection	1
40	BS 533 001 000	lock washer m10 din 127b	7
41	BS 512 001 025	bolt m10x25 din 933	6



ELIET DZC -- MOTOR				
NO	MMA 01 240 130	REV	2	DATE 2007/05/08

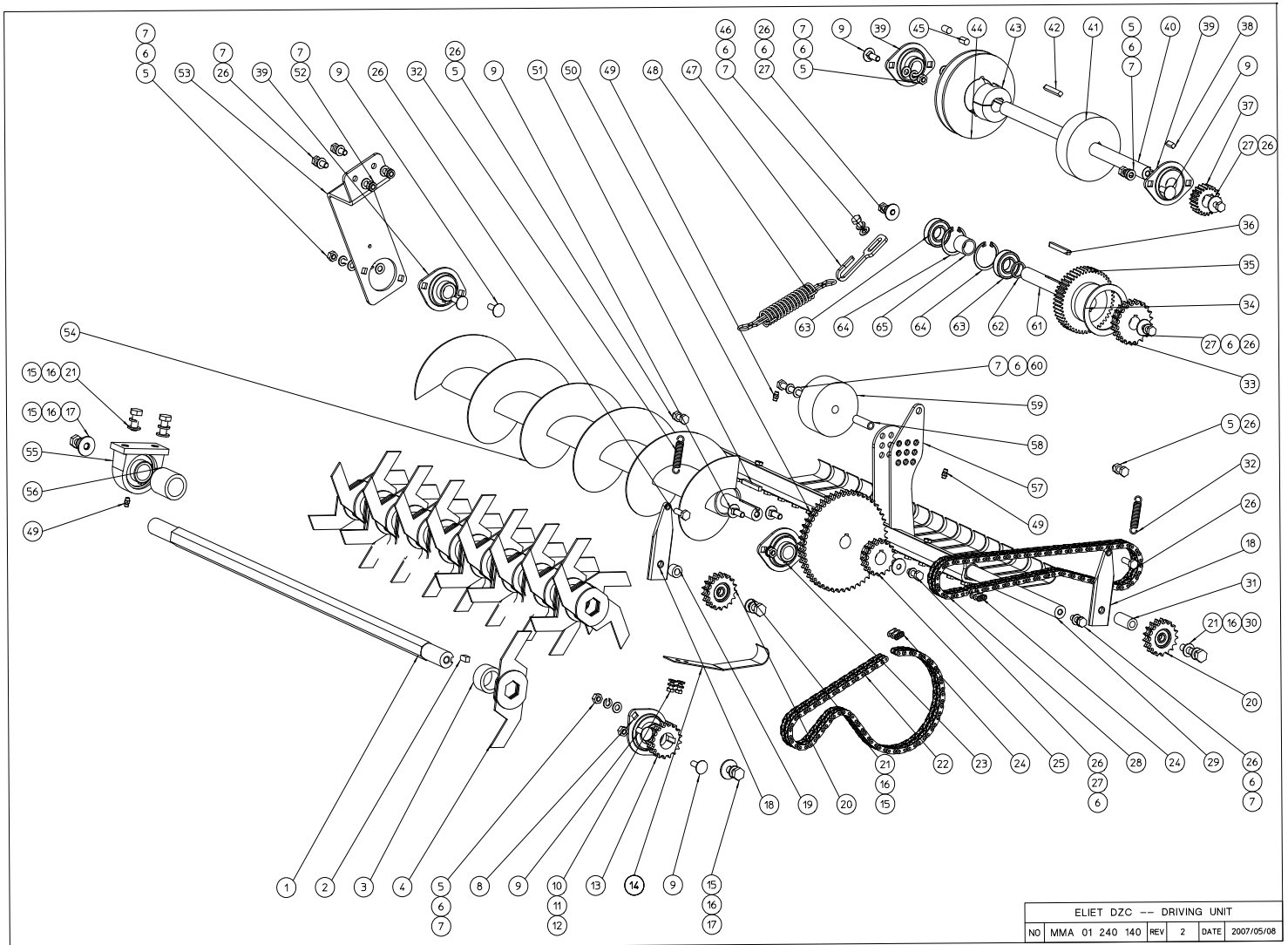
#	Order nr	article description	quantity
1	BS 502 000 500	self locking nut m5 din 985	4
2	BS 531 000 500	washer m5 din 125	4
3	BY 717 206 006	oil tank 6,5 l	1
4	BH 280 108 000	hydraulic filter 1/2"	1
5	MPA 01 150 420	yoke fuel tank	2
6	MPA 01 241 308	pipe interior oil tank	1
7	BH 720 503 040	cap for tank	1
8	BH 508 121 000	nut 10l	4
9	BH 508 821 000	cutting ring 10ls	4
10	BH 509 291 019	male stud coupling 10lx3/4 unf bo	4
11	BA 566 710 001	pulley spb 100x25x7	1
12	BS 512 000 816	bolt m8x16 din 933	1
13	BS 533 000 800	lock washer m8 din 127b	9
14	BS 531 000 800	washer m8 din 125	17
15	MPA 01 241 300	holder cable guide	1
16	BS 511 001 040	bolt m10x40 din 931	4
17	BS 531 001 000	washer m10 din 125	8
18	BK 610 100 800	cable set screw m8x34	1
19	BS 533 001 000	lock washer m10 din 127b	4
20	BS 501 001 000	nut m10 din 934	4
21	BA 564 709 001	pulley spz 90x25x7	1
22	BA 522 608 500	belt spz 850	1
23	BM 212 413 000	honda gx 390 lk red:1/2	1
24	BH 240 907 001	variable displacement pump 2 x 7cc	1
25	BH 540 900 614	adapter 9/16"unf	1
26	BS 554 100 640	bolt m6x40 din 603	2
27	BS 501 000 600	nut m6 din 934	4
28	BS 531 000 600	washer m6 din 125	8
29	BS 533 000 600	lock washer m6 din 127b	8
30	BS 581 000 516	stud m5x160 din 975	2
31	MPA 01 241 102	support hour counter	1
32	BE 240 120 240	battery 12v 24ah	1
33	BE 412 730 400	maintenance meter	1
34	BS 501 000 800	nut m8 din 934	8
35	MPA 01 241 305	fitting set point	1
36	BS 512 000 612	bolt m6x12 din 933	4
37	MPA 01 241 297	control handle pump	1
38	BL 000 802 203	bearing ezo 608 zz	2
39	BS 036 000 810	precision washer 14x8x1	2
40	MPA 01 241 271	control pump	2
41	BB 120 040 200	locking 4x20 din 1481	2
42	MPA 01 241 321	bearing shaft	2
43	BS 511 000 840	bolt m8x40 din 931	6
44	MPA 01 241 306	fitting set point	1
45	BB 011 000 080	starlock 8mm	2
46	BL 650 800 800	rod ends din 648b	2
47	MPA 01 241 299	control handle pump	1
48	BS 502 000 800	self locking nut m8 din 985	2
49	MPA 01 241 260	driven roller right	1
50	MPA 01 241 320	nipple	1
51	BA 564 708 501	pulley spz 85 12x1/8	1
52	BH 331 412 500	hydraulic engine mp n 125cc	2

53	BH 514 100 804	reduction stud (m-f) 1/2"-1/4"	4
54	BH 513 111 004	banjo 10lx1/4"	4
55	BA 522 510 900	belt lb 43	1
56	MPA 01 241 255	driven roller links	1
57	BS 554 100 825	bolt m8x25 din 603	4
58	BB 351 080 730	key 8x7x30 din 6885a	3
59	BL 801 102 500	bearing + flanges aspfl 205	1
60	BR 112 152 100	nylon bushing with collar (15.4/18/23x21/1)	2
61	MPA 01 241 135	lever belt tightener	1
62	BS 511 001 044	bolt m10x60 din 931	1
63	BA 599 005 300	idler roller Ø70	1
64	BV 914 000 030	spring	1
65	MPA 01 241 276	hydraulic pipe	1
66	MPA 01 241 277	hydraulic pipe	1
67	MPA 01 241 278	hydraulic pipe	1
68	MPA 01 241 275	hydraulic pipe	1



ELIET DZC -- SEEDING							
NO	MMA	01	240	REV	2	DATE	2007/05/08

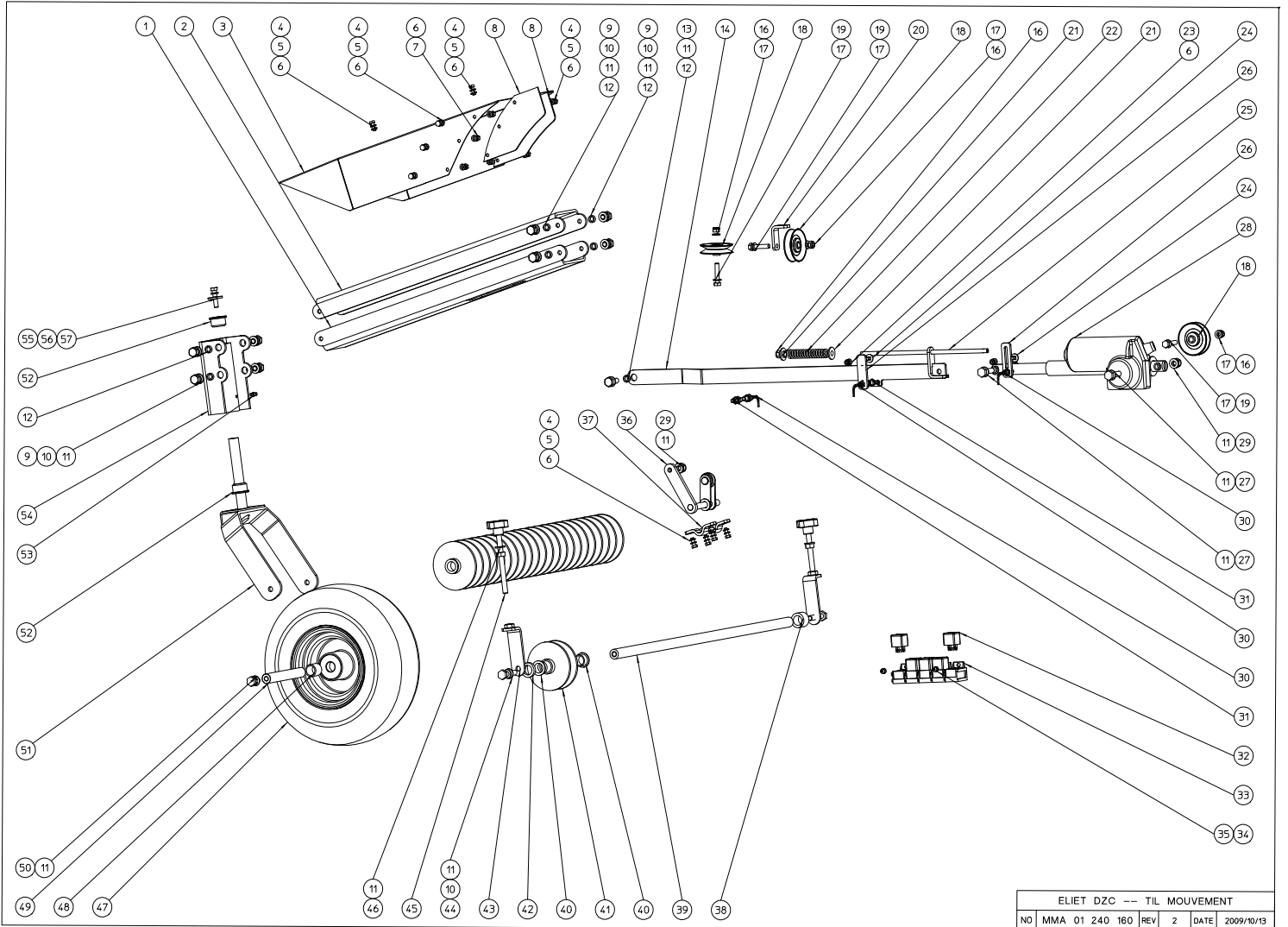
#	Order nr	article description	quantity
1	BS 531 000 600	washer m6 din 125	14
2	BS 533 000 600	lock washer m6 din 127b	10
3	BS 501 000 600	nut m6 din 934	14
4	BS 554 100 616	bolt m6x16 din 603	14
5	MPA 01 240 340	protection seed gate	2
6	MPA 01 241 290	seed gate	1
7	MPA 01 241 294	seed gate	1
8	BS 511 000 635	bolt m6x35 din 931	1
9	BS 532 006 253	washer m6x25x1.5	1
10	MPA 01 240 126	spacer controller seed gate	1
11	BS 532 006 183	washer m6x18x1.5	1
12	BS 502 000 600	self locking nut m6 din 985	1
13	MPA 01 241 289	lever seed flow control	1
14	BS 541 000 410	screw m4x10 din 84	6
15	BQ 501 160 110	sticker eliet dzc volume regulation	1
16	MPA 01 240 315	dosage indicator	1
17	BN 630 808 400	lob knob 188-40 m8	1
18	MPA 01 240 310	locking handle	1
19	MPA 01 240 305	blocking bush	1
20	BS 531 000 800	washer m8 din 125	10
21	BS 501 000 800	nut m8 din 934	6
22	BS 581 000 840	stud m8x400 din 975	1
23	BL 801 101 200	bearing + flanges aspfl 201	2
24	BV 011 512 500	spring 1,5x12,5x110	1
25	BR 112 060 300	nylon bushing with collar (4.2/5.9/10x3/1.3)	6
26	BS 502 000 400	self locking nut m4 din 985	6
27	BS 512 000 820	bolt m8x20 din 933	4
28	BS 531 000 500	washer m5 din 125	6
29	BS 533 000 500	lock washer m5 din 127b	6
30	BS 512 000 516	bolt m5x16 din 933	6
31	MPA 01 240 360	mounting piece control plate sowing pipes	3
32	BS 533 000 800	lock washer m8 din 127b	4
33	MPA 01 240 350	control plate sowing pipes	1
34	BA 161 033 251	sprocket simplex 3/8"x7/32" 33t	1
35	BS 532 010 355	washer m10x35x2.5	1
36	BS 512 001 035	bolt m10x35 din 933	1
37	BA 198 010 150	sprocket simplex 3/8"x7/32" 15t + bearing	2
38	BS 531 001 000	washer m10 din 125	5
39	BS 512 001 025	bolt m10x25 din 933	2
40	MPA 01 240 260	blocking screw chain tightener	1
41	BS 533 001 000	lock washer m10 din 127b	1
42	BS 501 001 000	nut m10 din 934	1
43	BA 151 200 000	connecting chain link simplex 3/8"x7/32"	1
44	BA 101 138 020	chain simplex 3/8"x7/32" 138l	1
45	BA 161 013 121	sprocket simplex 3/8"x7/32" 13t	1
46	BB 120 040 300	locking 4x30 din 1481	1
47	MPA 01 240 290	distance sleeve mixer	1
48	MPA 01 240 280	driven shaft mixer	1
49	MPA 01 240 240	sowing pipes	1
50	MPA 01 240 220	mixer	1



ELIET DZC -- DRIVING UNIT						
NO	MMA 01 240 140	REV	2	DATE	2007/05/08	

#	Order nr	article description	quantity
1	MPA 01 240 570	blade shaft	1
2	BB 341 080 720	key 8x7x20 din 6880	1
3	MPA 01 240 590	distance sleeve for blades	23
4	MPA 01 240 490	two toothed blade	24
5	BS 501 000 800	nut m8 din 934	12
6	BS 533 000 800	lock washer m8 din 127b	17
7	BS 531 000 800	washer m8 din 125	18
8	BL 801 102 502	bearing + flanges ucpfl 205	1
9	BS 554 100 825	bolt m8x25 din 603	10
10	BS 512 000 610	bolt m6x10 din 933	36
11	BS 531 000 600	washer m6 din 125	36
12	BS 533 000 600	lock washer m6 din 127b	36
13	BA 162 017 250	sprocket duplex 3/8"x7/32" 17t	1
14	BV 901 000 200	leaf spring rack	18
15	BS 512 001 025	bolt m10x25 din 933	5
16	BS 533 001 000	lock washer m10 din 127b	6
17	BS 532 010 305	washer m10x30x2.5	2
18	MPA 01 240 530	slide chain tightener	2
19	MPA 01 240 540	spacer bush chain tightener	1
20	BA 198 020 170	sprocket duplex 3/8"x7/32" 17t + bearing	2
21	BS 531 001 000	washer m10 din 125	4
22	BA 102 078 020	chain duplex 3/8"x7/32" 78l	1
23	BL 801 102 002	bearing + flanges ucpfl 204	1
24	BA 152 200 000	connecting chain link duplex 3/8"x7/32"	2
25	BA 162 017 200	sprocket duplex 3/8"x7/32" 17t	1
26	BS 512 000 825	bolt m8x25 din 933	12
27	BS 532 008 254	washer m8x25x2	4
28	BA 102 086 020	chain duplex 3/8"x7/32" 86l	1
29	MPA 01 240 610	axle rack	1
30	BS 511 001 042	bolt m10x50 din 931	1
31	MPA 01 240 550	spacer bush chain tightener	1
32	BV 912 000 010	recall spring	2
33	BA 162 021 200	sprocket duplex 3/8"x7/32" 21t	1
34	BH 820 203 020	gasket	1
35	BA 602 004 802	gear m2 48t	1
36	BB 341 060 656	key 6x6x56 din 6880	1
37	BA 602 002 102	gear m2 21t	1
38	BB 341 060 618	key 6x6x18 din 6880	1
39	BL 801 102 001	bearing + flanges aspfl 204	3
40	MPA 01 241 040	driving spindle	1
41	MPA 01 240 620	eccentric rack	1
42	BB 351 060 646	key 6x6x46 din 6885a	1
43	BB 501 132 000	taper lock tl 1610-20	1
44	BA 563 712 501	pulley spb 125 tl1610	1
45	BB 501 310 160	set screw 3/8"x5/8"	2
46	BS 512 000 816	bolt m8x16 din 933	1
47	MPA 01 241 220	catch for spring	1
48	BV 915 000 010	spring with limiter	1
49	BY 100 106 100	grease fitting m6 din 71412	3
50	BA 162 050 200	sprocket duplex 3/8"x7/32" 50t	1
51	BB 341 060 653	key 6x6x53 din 6880	1
52	BS 502 000 800	self locking nut m8 din 985	2

53	MPA 01 240 520	support bearing for screw	1
54	MPA 01 240 480	conveyor screw	1
55	BL 802 202 505	bearing assembly ucup205	1
56	MPA 01 240 580	distance sleeve knife shaft	1
57	MPA 01 241 221	rack	1
58	MPA 01 240 630	axle roller	1
59	BW 108 512 000	wheel 80/40-38	1
60	BS 511 000 844	bolt m8x60 din 931	1
61	MPA 01 240 660	countershaft gearbox	1
62	MPA 01 240 670	spacer ring gear chassis	1
63	BL 002 004 203	bearing 6004 zz	2
64	BB 002 000 420	retaining ring 42 din 472	2
65	MPA 01 240 680	bearing spacer gearbox	1



ELIET DZC -- TIL MOUVEMENT			
NO	MMA 01 240 160	REV	2
DATE	2009/10/13		

#	Order nr	article description	quantity
1	MPA 01 241 104	mounting front wheel	1
2	MPA 01 241 103	top plate mounting front wheel	1
3	MPA 01 241 126	protection front	1
4	BS 512 000 616	bolt m6x16 din 933	12
5	BS 533 000 600	lock washer m6 din 127b	12
6	BS 531 000 600	washer m6 din 125	20
7	BS 501 000 600	nut m6 din 934	6
8	MPA 01 241 039	protection rubber front wheel	2
9	BS 512 001 016	bolt m10x16 din 933	8
10	BS 533 001 000	lock washer m10 din 127b	12
11	BS 531 001 000	washer m10 din 125	20
12	MPA 01 240 450	ferrule height control	9
13	BS 512 001 030	bolt m10x30 din 933	1
14	MPA 01 241 145	lifting rod	1
16	BS 502 000 800	self locking nut m8 din 985	4
17	BS 531 000 800	washer m8 din 125	6
18	BA 599 004 300	idler roller Ø66	3
19	BS 512 000 840	bolt m8x40 din 933	3
20	MPA 01 241 287	holder cable guide	1
21	BR 112 100 600	nylon bushing with collar (10/13.5/25x6/2.5)	2
22	BV 918 000 020	spring	1
23	BS 502 000 600	self locking nut m6 din 985	2
24	BS 554 100 620	bolt m6x20 din 603	2
25	MPA 01 241 288	cable puller	1
26	MPA 01 241 225	holder contact	2
27	BS 511 001 040	bolt m10x40 din 931	2
28	BA 700 100 100	linear motor	1
29	BS 502 001 000	self locking nut m10 din 985	3
30	BE 400 010 100	reed contact	3
31	BE 400 010 101	magnet	2
32	BE 160 013 000	reversing relay 12v	5
33	BE 160 011 000	relay body (9 poles)	5
34	BS 522 500 508	screw m5x8 iso 7380	2
35	BS 531 000 500	washer m5 din 125	2
36	MPA 01 241 140	crank lever	1
37	MPA 01 241 146	carrier	2
38	MPA 01 241 240	spacer bush height control	1
39	MPA 01 241 239	carrying axle height control	1
40	BR 112 201 500	nylon bushing with collar (20/24/30x15/2)	24
41	MPA 01 241 238	roller	1
42	MPA 01 241 241	distance plate height control	1
43	MPA 01 241 313	support roller	2
44	BS 511 001 042	bolt m10x50 din 931	2
45	BN 630 210 500	lob knob 189-50 m10x120	2
46	BS 501 001 000	nut m10 din 934	2
47	BW 031 020 000	wheel 4.50-6	1
48	MPA 01 240 470	wheel spacer	2
49	MPA 01 240 460	wheel shaft	1
50	BS 512 001 025	bolt m10x25 din 933	2
51	MPA 01 240 400	wheel fork	1
52	BR 112 201 910	nylon bushing with collar (20.5/30/35x19/2.5)	2
53	BY 100 106 100	grease fitting m6 din 71412	1

54	MPA 01 241 311	front plate front wheel	1
55	BS 511 000 835	bolt m8x35 din 931	1
56	BS 533 000 800	lock washer m8 din 127b	1
57	BS 532 008 306	washer m8x30x3	1